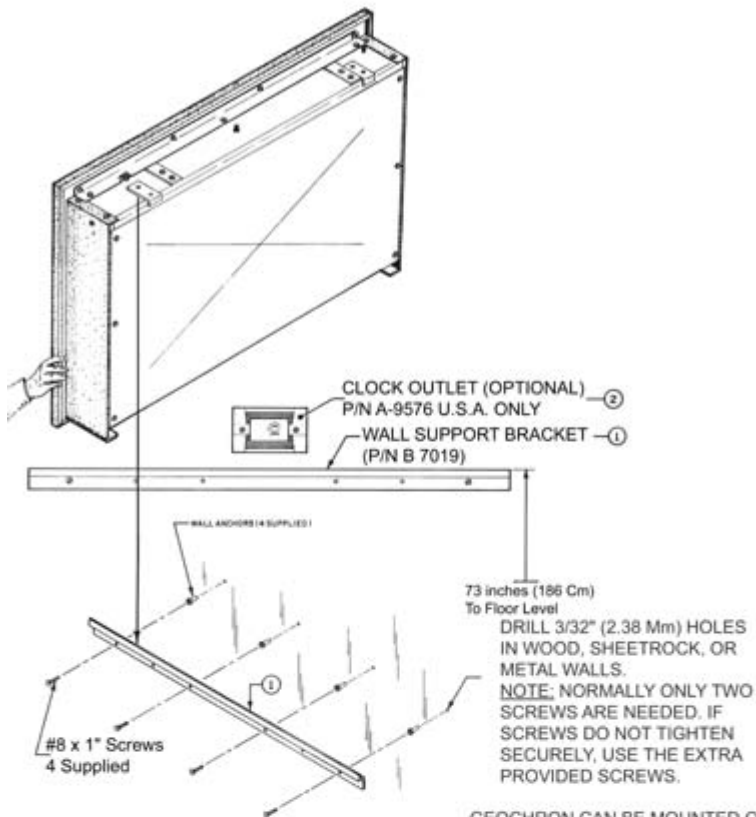
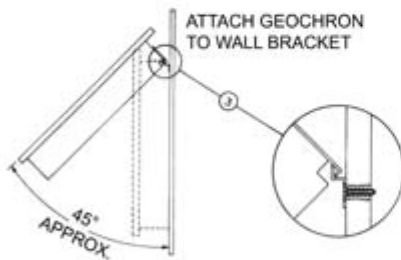


Surface Mounting

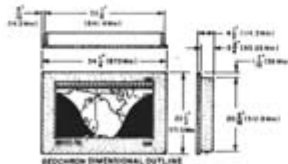


GEOCHRON CAN BE MOUNTED ON ANY FLAT SURFACE, LIKE HANGING A PICTURE. HOWEVER, A SPECIAL MOUNTING BRACKET IS REQUIRED. (FIGURE 1)



A CONVENTIONAL ELECTRICAL OUTLET IS ALSO REQUIRED. IF AN ELECTRICAL IS TO BE INSTALLED ESPECIALLY FOR GEOCHRON, PLACE IT DIRECTLY ABOVE THE MOUNTING BRACKET AS SHOWN IN FIGURE 2.

DO NOT INSTALL AN OUTLET BEHIND THE BACK OF THE GEOCHRON. ANY PROJECTION ABOVE THE WALL SURFACE BEHIND THE GEOCHRON WILL PUSH THE BACK OF THE UNIT INWARD. THIS COULD SCRATCH THE MAP.



SCREW THE BRACKET INTO POSITION AS SHOWN. (FIGURE 1) KEEP THE BRACKET LEVEL. HANG THE GEOCHRON AS IN FIGURE 3. TILT IT 45 DEGREES AS SHOWN AND ENGAGE THE BRACKET WITH THE HOOKS, THEN SWING IT DOWN INTO VERTICAL POSITION.

THIS ARRANGEMENT PREVENTS THE GEOCHRON FROM BEING PUSHED UPWARD AND OFF THE BRACKET. THE UNIT CAN BE MOVED HORIZONTALLY A SHORT DISTANCE AFTER IT IS HUNG TO GIVE ADDITIONAL ADJUSTMENT TO ITS POSITION.

Flush Mounting

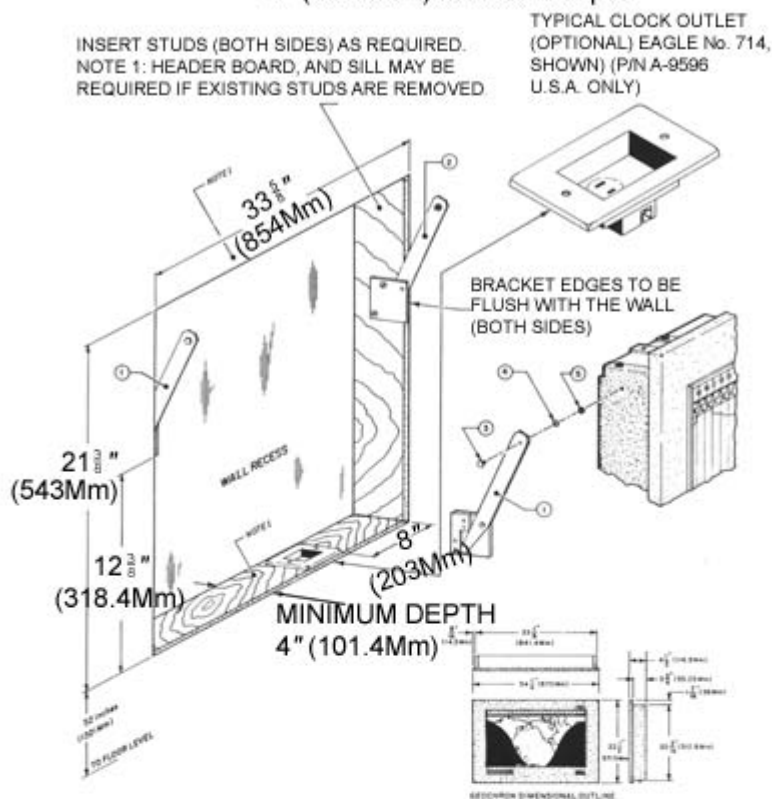
CRITICAL MEASUREMENT

FINISH OPENING SIZE

33 5/8" (854Mm) Wide

21 3/8" (543Mm) High

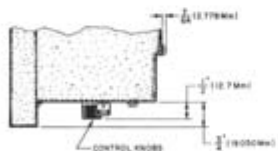
4" (101.4Mm) Minimum Depth



FLUSH MOUNTING GEOCHRON REQUIRES SPECIAL "FLUSH MOUNTING BRACKETS" AND A RECESS IN THE WALL AS SHOWN. THE RECESS MUST BE OF THE EXACT SIZE INDICATED. THE 12 3/8 INCH (318.4 Mm) DISTANCE FROM THE BOTTOM OF THE RECESS OPENING TO THE BOTTOM EDGE OF THE MOUNTING BRACKETS MUST BE FLUSH WITH THE SURFACE OF THE WALL. (TWO STUDS MUST BE INSERTED AND FASTENED AT EACH SIDE OF THE OPENING FOR SECURE MOUNTING OF THE BRACKETS.)

A SHOULDER SCREW, WASHER AND RETAINING RING ARE PROVIDED TO SECURE THE MOUNTING BRACKETS TO THE GEOCHRON, AS INDICATED.

THE RECESSED ELECTRICAL OUTLET MUST BE PLACED SO THAT THE GEOCHRON ELECTRICAL CORD AND PLUG DO NOT INTERFERE WITH THE CONTROL KNOBS (8" FROM THE RIGHT OF THE RECESS, AS SHOWN.)



THE SPECIAL "FLUSH MOUNT BRACKETS" ENABLE YOU TO SWING THE GEOCHRON OUT OF THE RECESS TO GAIN ACCESS TO THE (CONTROL) SETTING KNOBS. WHEN RETURNING THE UNIT INTO THE RECESS GENTLY PUSH IN THE TOP EDGE FIRST, THEN THE BOTTOM EDGE. WHEN PULLING THE UNIT OUT, PULL OUT THE BOTTOM EDGE FIRST, THEN THE TOP EDGE.

NOTE: ALL RECESS DIMENSIONS +/- 1/8 OF AN INCH. (3.175 Mm) EXCEPT THE 12 3/8" BRACKET DIMENSION, MAINTAIN WITHIN 1/16 OF AN INCH (1.587 Mm).

CAUTION: INSPECT THE GEOCHRON AFTER IT IS PLACED INTO THE RECESS TO INSURE THAT ITS CONTROL KNOBS DO NOT COME TO REST ON THE BOTTOM LEDGE OF THE RECESS.

